

HB-DJ801 series

Feature :

1. DC permanent magnet motor , compact and handy.
2. Speed from 4mm/s to 25mm/s as requested.
3. Maximum Load 6000N.
4. Normal Temperature Range: 5°C ~ 40°C.
Duty cycle: 10% Maximum 2' continuous work.
5. Reed Switch output signal.
6. Build in limit switch.
7. IP Grade: IP43.
8. Certificate : CE
9. Widely apply to industrial equipment, medical, and future Etc.



Specification

	HBA1	X	X	XXX	XXX	XX	XX	X	X	X	X	X	X	X
Item: HB-DJ801 selection number : HBA1														
Voltage 1—12VDC 2—24VDC														
Transmission parameters of the code Table 1.0														
Stroke Table 2.0														
Minimum Retracted length Table 2.0														
Front attachment Table 3.0														
Rear attachment Table 4.0														
Direction of front/rear attachment 0—0°, Mounting holes is horizontal with the motor (standard), as picture 1—90°, Mounting holes is vertical with the motor														
Colour 0—Silvery white (standard) 1—Black														
Output signal 0—Without signal 1—Reed Switch														
Way of limit 0—Double automatic limit switch, old style (standard) 1—Limit switch signal output, new style 2—Customized														
Cable option Table 5.0														
Cable length Table 6.0														
Material of inner tube 0—Aluminum alloy (Standard) 1—Stainless steel														

Table 1.0 Transmission parameters of the code

Code(24V)	Max. Load (N)	Speed without load (mm/s)	Current without load (A)	Speed with full load (mm/s)	Current with full load (A)
A	6000	4	0.3-0.4	3.2	3.6
B	4000	6	0.4-0.6	4.3	3.0
C	3000	8	0.4-0.6	6.5	3.0
D	2000	11	0.4-0.6	8.1	3.2
E	1500	16	0.3-0.5	11.7	3.1
F	800	25	0.8-0.9	19.2	3.2

Code(12V)	Max. Load (N)	Speed without load (mm/s)	Current without load (A)	Speed with full load (mm/s)	Current with full load (A)
A	6000	3.8	1.4	1.4	8.4
B	4000	4.4	1.7	2.4	7.5
C	3000	7.6	1.4	3.9	7.0
D	2000				
E	1500				
F	800				

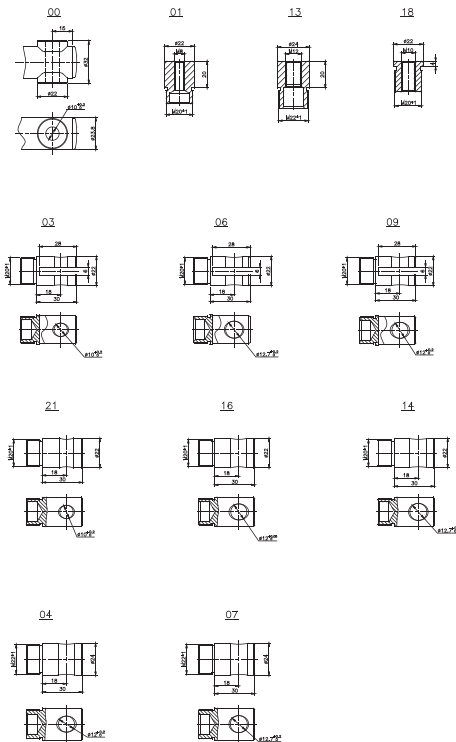
Note : The above table is Under the normal temperature of the actual data , there might have difference between Single actuator and below table, due to the part processing, installation precision , measuring error etc. The maximum error ±10%

Table 2.0 Stroke/Min retracted length and Load

Stroke(mm)	Min retracted length(mm)	Load(N)
$25 \leq S \leq 200$	$L = S + (160..175)$	0-6000
$200 < S \leq 300$	$L = S + 175$	0-5000
$300 < S < 400$	$L = S + 175$	0-4000
$400 \leq S < 500$	$L = S + 200$	0-3000
$500 \leq S < 600$	$L = S + 200$	0-2000
$600 \leq S < 700$	$L = S + 250$	0-1000
$700 \leq S < 800$	$L = S + 250$	0-500
$800 \leq S$	$L = S + 350$	0-200

Note : The longer the trip, the smaller the load ;
In the same actuator, the max load will getting smaller when larger sideways force

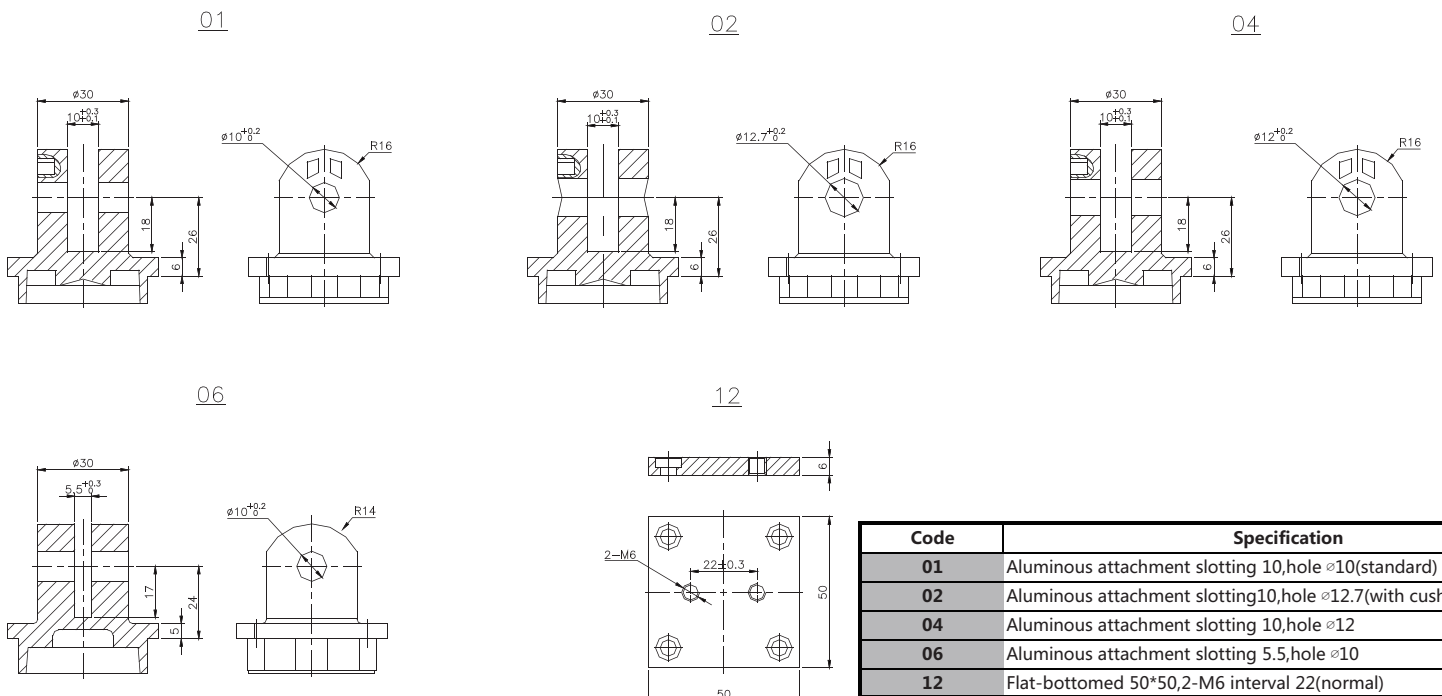
Table 3.0 Front attachment



Code	Specification
00	Cushion, hole $\varnothing 10$ (standard)
01	Cylindrical screw hole M8 (Normal)
13	Cylindrical screw hole M12(for stainless steel rod)
18	Cylindrical screw hole M10(for joint bearing)
03	Slotting C6*28, hole $\varnothing 10$ (standard)
06	Slotting C6*28, hole $\varnothing 12.7$ (with cushion 10.5)
09	Slotting C6*28, hole $\varnothing 12$
21	No slots, hole $\varnothing 10$ (standard)
16	No slots, hole $\varnothing 12$
14	No slots, hole $\varnothing 12.7$
07	No slots, hole $\varnothing 12.7$
04	No slots, hole $\varnothing 12$

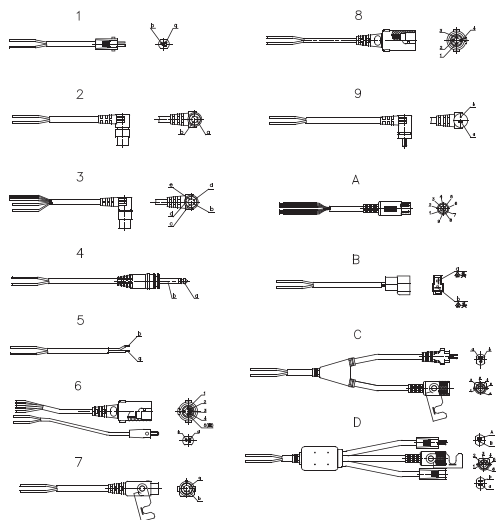
Note: 1.M20*1 male screw for aluminous inner tube ;
M22*1 male screw for stainless steel inner tube
2.We have stock for "standard", the others are customized, and longer delivery

Table 4.0 Rear attachment



Code	Specification
01	Aluminous attachment slotting 10, hole $\varnothing 10$ (standard)
02	Aluminous attachment slotting 10, hole $\varnothing 12.7$ (with cushion 10.5)
04	Aluminous attachment slotting 10, hole $\varnothing 12$
06	Aluminous attachment slotting 5.5, hole $\varnothing 10$
12	Flat-bottomed 50*50, 2-M6 interval 22(normal)

Table 5.0 Cable optional



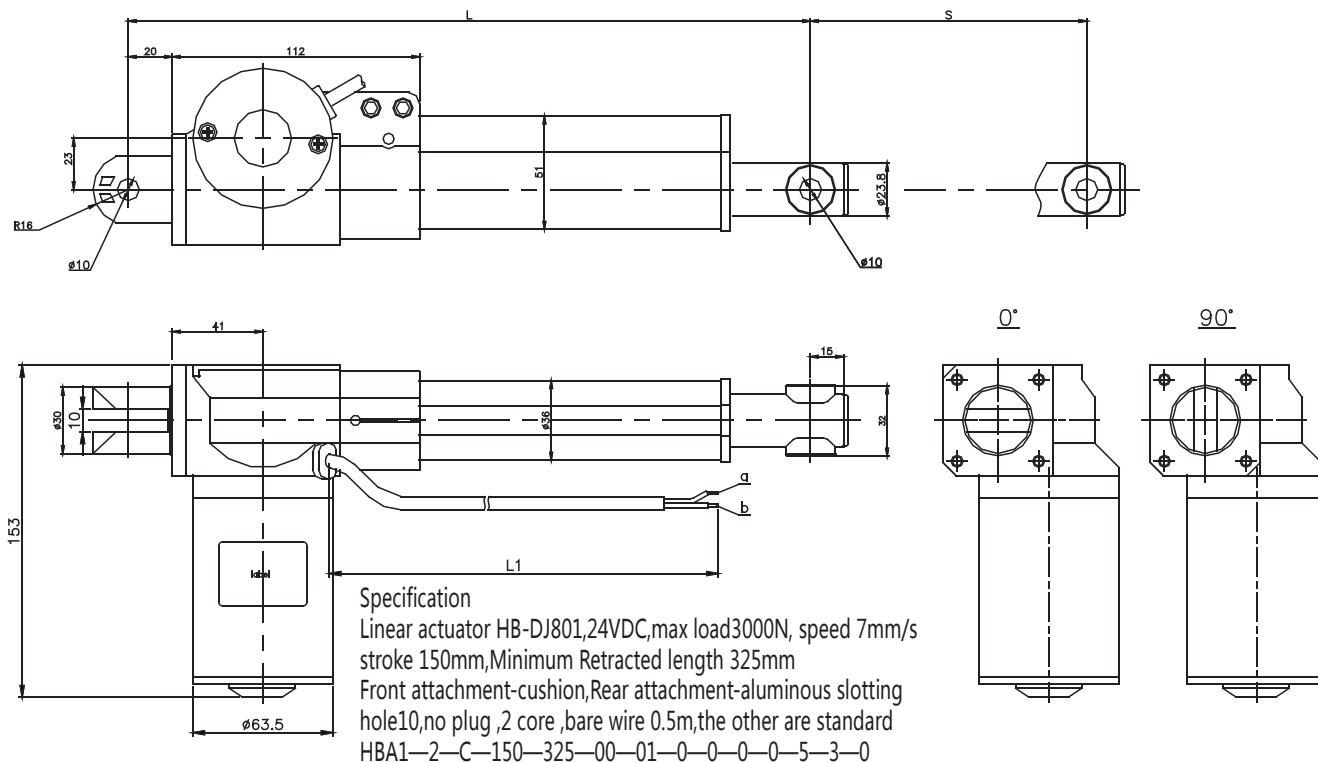
Code	Details	Note
0	Undefined	
1	2 pin 2 core 01 Flat straight plugs	with controller/switch(standard)
2	4pin 2 core bent wire	with controller ,standard
3	4pin 5 core bent wire	with controller ,standard
4	2 core straight plugs	with controller ,standard
5	no plug 2 core naked wire	no controller ,standard
6	double plug	switch directly control
7	4pin 2core match with straight pin	customized
8	3pin 2core match with straight pin	switch directly control
9	2pin 2core 01 Circular Angle plug	with controller/switch
A	8 pin 6 core straight plug	with control adapter
B	2pin 2core T-shaped female plug	customized
C	tee line	customized,switch directly control
D	four wire line(Dual Control)	customized,switch directly control

Note : Normally male plug for actuator,female plug for the power source

Table 6.0 Cable length

Type \ Length	0	1	2	3	4	5	6	7	8	9
	0.2m	0.31m	0.4m	0.5m	0.7m	1m	1.2m	1.5m	2m	customized
1		✓			✓					
2					✓				✓	
3					✓				✓	
4					✓				✓	
5	✓	✓	✓	✓	✓	✓		✓	✓	
6	0.2m+0.18m									
7	✓									✓
8	✓									
9				✓			✓	✓		
B	2 core wire,ditto 5									
C										✓
D										✓

Dimension standard



Version	Date	Alter
Trial operation	24.03.2014	No

